

mapesen

Vehicle Fever Screening Thermometer
Quick User Instructions

www.mapesen.com

This vehicle thermometer is a professional machine to quick measuring human surface temperature which apply to the public place with large flow. With non-contact temperature measurement, high accuracy, fast measurement, fever voice broadcast etc advantages. Specially suitable to bus, entry and exit port, port, airport, wharf, station, school, government department, cinema etc public place.

PRODUCT DETAILS



1. Interface And Button Description:

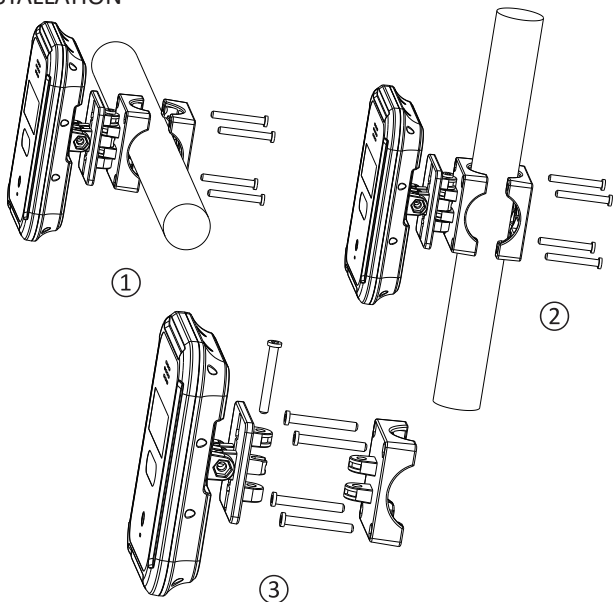
1	Volume+	6	Speaker
2	OK	7	LED Display
3	Volume-	8	Indicator light
4	Power interface	9	Infrared sensor
5	SIM card slot	10	TOF Sensor

* Only 4G version has SIM card slot.

2. Power Requirements:

This thermometer can be powered by DC 5-38V power supply, DC 5V, 9V, 12V, 24V standard power supply adapter can be selected. When using 5V power supply, pls do not extend the power cord, otherwise the voltage drop from the power cord will affect the normal operation. If it is necessary to extend the power cord in the location where it is installed, use a 9V or higher power adapter to ensure proper operation of the unit.

INSTALLATION



1. Installation Instructions:

① Cross bar installation ② Vertical pole installation ③ Wall mounting

2. Installation Instructions

2.1. Unscrew the four hexagon socket mounting screws at the back of the equipment, and get stuck on the corresponding mounting pillars according to the actual measured height, and then screw the mounting screws back to lock them tight.

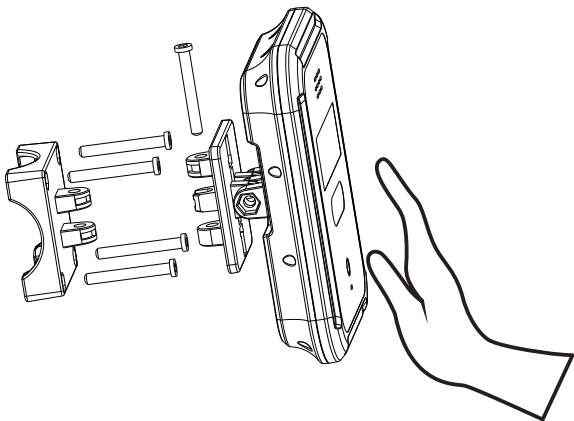
2.2. Connect the red wire to the positive terminal of the power supply and the black wire to the negative terminal of the power supply, and handle the interface well to avoid short circuit. Then insert the aviation connector into the thermometer and tighten it. The power supply can be from DC5V to DC38V.

2.3. Ambient light and wind requirements: it is recommended that the equipment should be installed indoors to ensure that there is no wind or direct sunlight between the equipment and the temperature measurement object, so as to avoid the phenomenon of too low and too high temperature measurement caused by wind dissipation and direct sunlight.

USE INSTRUCTIONS



* Please tear off the panel protective film when using and make sure that the sensor position is not stained or blocked.



* Place your hand about 5cm away from the sensor to measure automatically.

QUICK OPERATION

1. In the temperature measurement mode, long press the "OK" key to quickly switch between the body temperature and the object temperature mode.
Body temperature mode display: peop
Object temperature mode display: proj
2. In the temperature measurement mode, long press the "-" key to quickly switch between centigrade and Fahrenheit.
3. In the temperature measurement mode, short press the "+ -" button to adjust the volume of the device, 0-mute, 9-maximum.
4. Please press the "long" button to activate the temperature measurement mode.

MENU SETTINGS

In the temperature measurement mode, press and hold the "+" button until displays "F1". You can select F1 ~ F6 through the "+-" button, and set by "OK" button.

1. F1---Setting of fever alarm temperature: after F1 is selected, the alarm temperature value can be adjusted through the "+ -" button. After the setting is completed, press the "OK" button to save. The range can be set as "37.2-39°C" or "99.0-102.2°F".
2. F2---Temperature compensation setting: after F2 is selected, the compensation temperature value can be adjusted by "+ -" button. After the setting is completed, press "OK" button to save, and the interval can be set as "±0.9°C or"±33.6°F".
3. F3---Memory data view: after F3 is selected, the serial number of data can be selected by "+ -" button and viewed by pressing "OK" button. The device can store 5000 pieces of data.
4. F4---Statistics of measurement times: after F4 is selected, the measurement times of the equipment can be displayed, and long press the "-" key to return to zero.
5. F5---Alarm signal output setting: after F5 is selected, you can select "ON" or "OFF" through "+ -" button. ON-normal temperature output alarm signal, OFF-temperature higher than alarm value output alarm signal, press "OK" button to save.

Only applicable to the model with alarm output function.

OTHER SPECIFICATIONS

- The temperature display range is 32.0 °C ~ 42.9 °C
- Power Supply Voltage: DC5V-DC40V,
Standby Power Consumption: 0.3W,
Working Power Consumption: 1.2W
- 5000 pieces of measurement data storage
- Up to 9999 counters
- Selection of Fahrenheit and centigrade modes
- Selection of object temperature and body temperature

Normal Working Conditions:

1. Ambient temperature: 16-35°C
2. Relative humidity: less than or equal to 85%.
Basic size: 120mm * 150mm * 36mm (L * W * H)
Weight: 450g

Packing List:

1. Thermometer
2. Power Cord
3. Hexagon Wrench
4. Spare Screw
5. User Manual

mapesen

Smart City, Smart Guarantee

MAPESEN TECHNOLOGY LIMITED

www.mapesen.com

0086(755)-89345865

info@mapesen.com